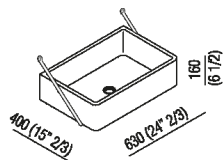




Washbasin with support structure
 ACER0730ESPG

design Benedini Associati, 2019

Rectangular washbasin in Petit Granit marble
 for outdoor use, with stainless steel structure.



Rectangular washbasin in Petit Granit marble, without overflow, without tap hole; supported by polished stainless steel structure. Complete with fixing kit. The washbasin includes waste cap in the same washbasin finish (.MET0563).

Finishes



Petit Granit

Materials



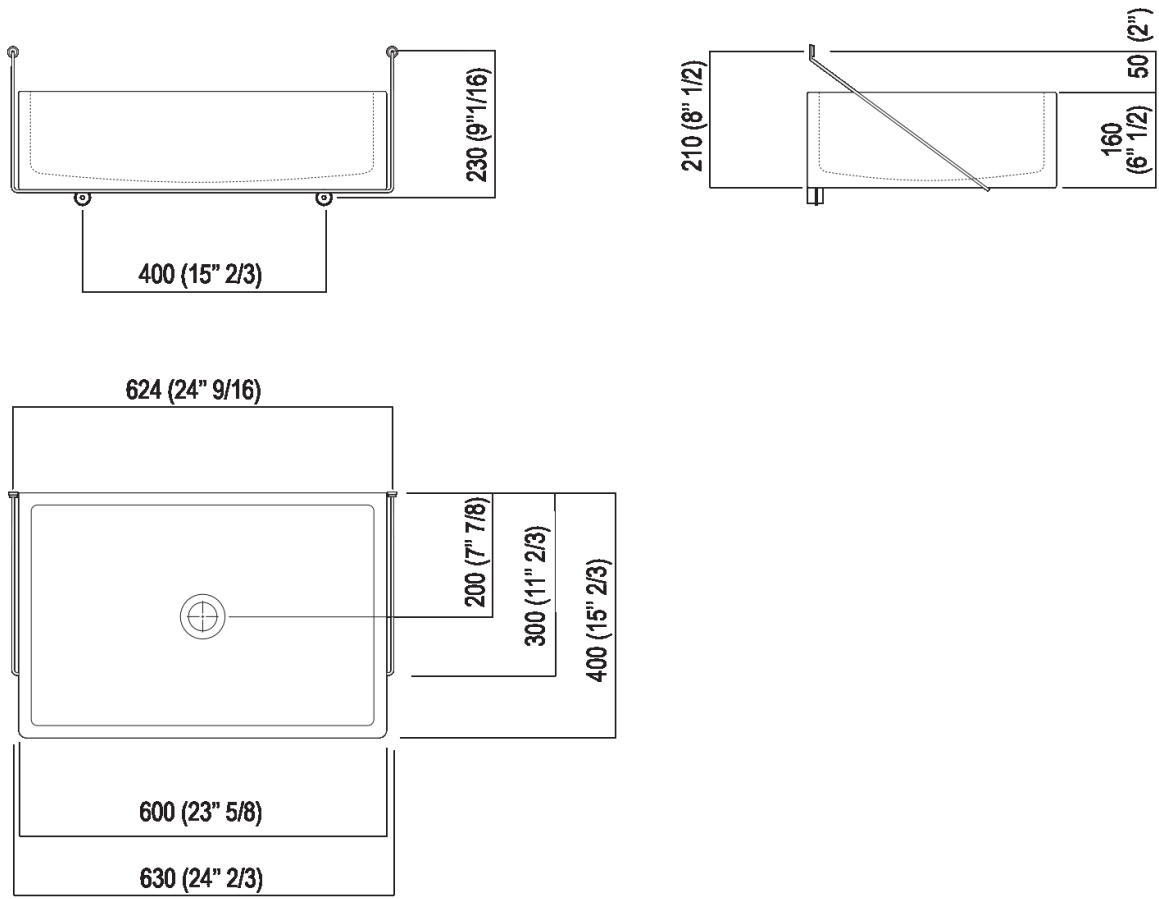
Marble

Height:	63 cm	24" 3/4 inches
Diameter:	16 cm	6" 1/4 inches
Weight:	34 kg	75 lbs
Depth:	40 cm	15" 3/4 inches
Packaging:	70 x 48 x 28 cm	27" 4/8 x 18" 7/8 x 11" inches
Total weight:	41 kg	90 lbs

Note: The washbasin can be delivered also in stone or marble types on demand, price to be calculated and prior technical verification.

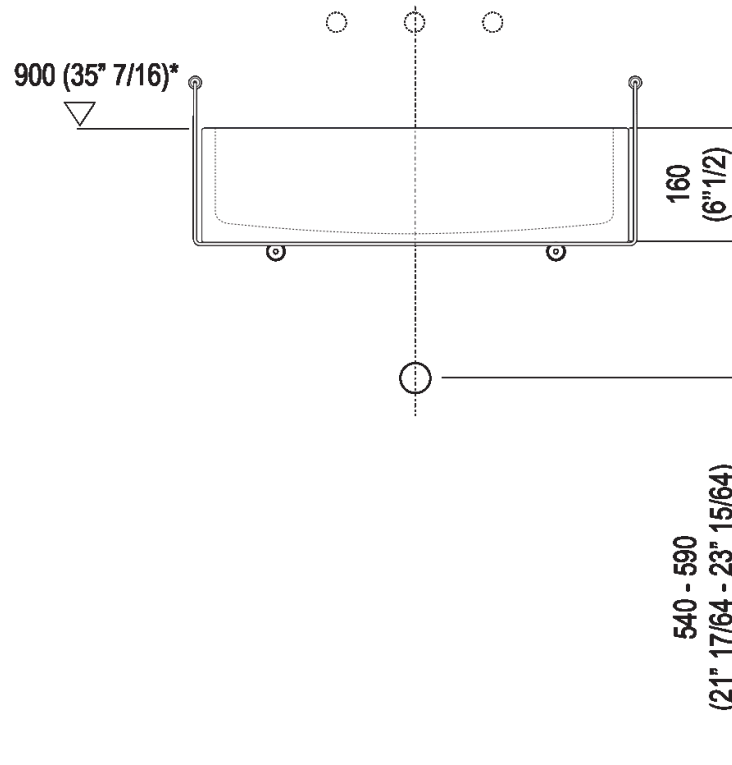


Main dimensions





Installation notes



Scarico per sifone a bottiglia
Drain for bottle trap

*h.consigliata / advised h.



Tap position, recommended height

